

Chapter 1

Introduction and Installation

Introduction

The *F-100* Performance Fog Generator is a high performance fog machine. The *F-100* can operate as a continuous duty fog machine, or it can operate intermittently for periods of time set by the user. Pump output can also be controlled by a 0-10 volt analog control or the optional DMX-512 remote control unit.

For the best results, use only ATMOSPHERES Fog Generating Liquid in the *F-100*. **Use of any other fluid will void the warranty.**

How to Use This Guide

For your safety, it is important that you read this user guide thoroughly before you operate the F-100.

This guide describes how to unpack, plan for, set up and operate the *F-100*. It also lists important safety precautions, explains basic trouble shooting techniques, and lists the appropriate service personnel contacts available for technical support.

In this book you will find the following symbols:



Caution: This symbol appears adjacent to Caution messages. Not heeding these messages could result in minor personal injury and/or damage to equipment.



Warning: This symbol appears adjacent to Warning messages. Not heeding these messages could result in serious personal injury.



Explosion: This symbol appears adjacent to Explosion warning messages. These messages warn you about possible high pressure, fire, or explosive situations.

***F-100* Specifications**

Power Requirements

- 100-120 VAC 50/60 Hz 14 Amp. (15010002)
- 200-240 VAC 50/60 Hz 7 Amp. (15010003)

Electronics

- Over-temperature protection
- Parallel-inverted SCR's
- Thermocouple temperature control

Weight

- 14 Kg (31 lbs) with empty tank

Assembled Unit Dimensions (including handles & hardware)

- 27 cm (10.5 inch) Height
- 30 cm (12.0 inch) Width
- 69 cm (27.0 inch) Length

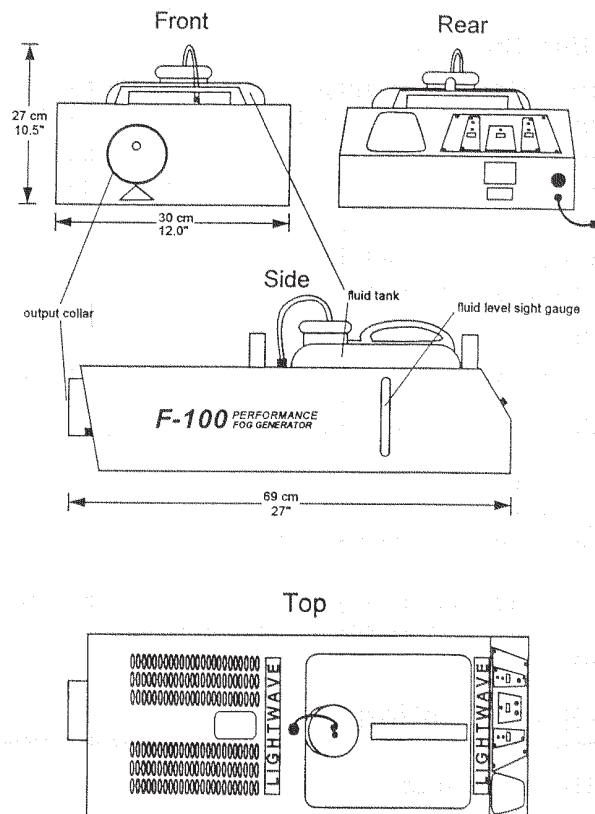


FIGURE 1: VIEWS AND DIMENSIONS OF THE F-100